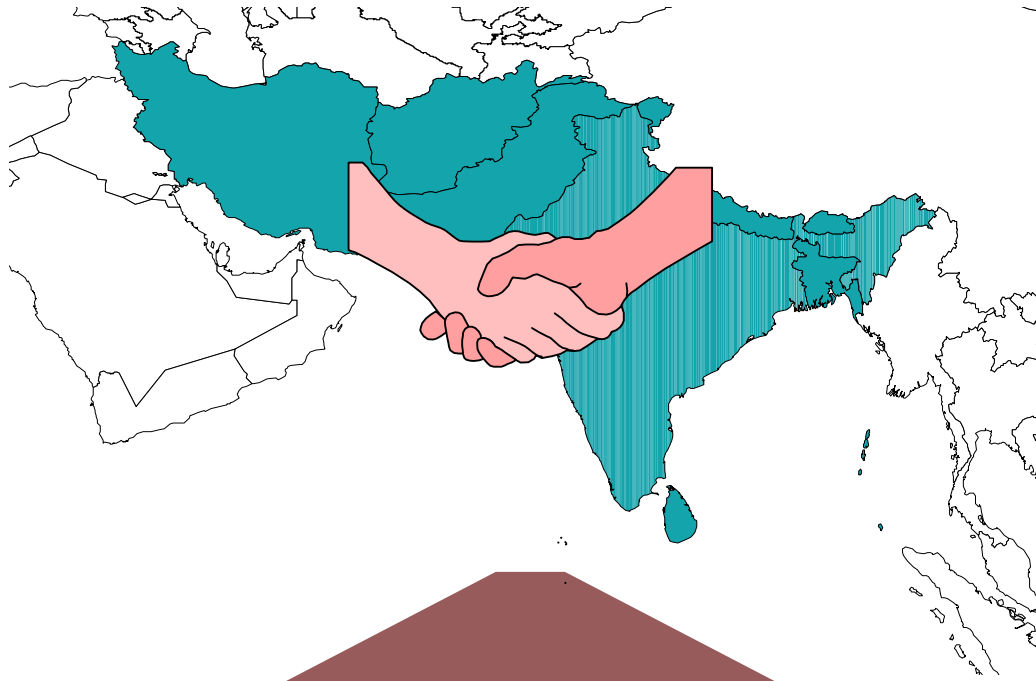


IMPLEMENTATION OF MALE' DECLARATION



PHASE II

Outline of Phase I Implementation

Network Establishment

Identification of NEAs
Establishment of NEAs
Network & Database of Experts/Institutions

Baseline Studies

Guidelines for the Baseline Studies
Preparation of Baseline Studies
Baseline Studies & Database

Action Plans

National
Action Plan

Sub-regional
Action Plan

The main objective of the network is to develop links between regional experts and policy-makers. Network will be established based on the existing institutional base and network of UNEP/EAP-AP. Ministry of Environments are the policy level focal points. The ministries will nominate the National Executing Agencies (NEA) to carry out the national baseline studies and action plan

The objective of baseline studies is to gather the national information on air pollution to facilitate the implementation of Male' Declaration to achieve significant environmental and public health benefits through reductions in emissions of air pollutants

The objective of action plan is to carry out activities that fill gaps in knowledge or understanding that are required for the development of the policy process. Implementation of the action plan will put in place expertise, equipment and information for quantitative monitoring, analysis, and policy recommendations for eventual prevention of air pollution

PHASE II

Objective

“Implementation of phase II is to put in place expertise, equipment and information for quantitative monitoring, analysis and policy recommendations for eventual prevention/control of air pollution”

ACTIVITIES

NETWORK Annual network meeting

The network meeting will guide the implementation process, and will be organized once each year. NIAs and national focal points will attend.

This year: July 16 - 17

ACTIVITIES

NETWORK Stakeholders meeting

At the national level NIAs will be guided by the stakeholders from all the sectors such as academics, NGOs, industrial etc. National stakeholder meetings will be organized in 3 of the network countries to obtain collective view of all the stakeholders. This will also facilitate the dissemination of project findings to all the stakeholders.

ACTIVITIES

NETWORK Regional NGO Workshop

One regional NGO Workshop will be arranged during the Programme period. Participants from NGOs, media and industry will be invited to discuss and review the Malé Declaration implementation process. **The 2003 Annual network meeting will be followed by an NGO workshop.**

ACTIVITIES

NETWORK Publication of newsletter

RRC.AP will publish a quarterly newsletter that includes network and other news, views, abstracts of recent research papers, study results, queries, etc.

ACTIVITIES

CAPACITY BUILDING Equipment procurement and related formalities

identified the type of equipment suitable for South Asia.
Started communications with equipment vendors
NIAs: official clearance for transferring equipment into the
country, and installation and maintenance of monitoring
stations at the national level.

ACTIVITIES

CAPACITY BUILDING Installation of monitoring equipments

Monitoring equipment will be installed in the identified sites during the 3rd and 4th quarters of 2002. NIAs will take the lead role at the national level and installation will start with the countries that prepared for installation first.

ACTIVITIES

CAPACITY BUILDING Training for monitoring and data handling

Central Training
In-country training with installation of equipments
Refreshment courses

ACTIVITIES

DATA MANAGEMENT centralized monitoring database

Established at RRC.AP
Regular updates
Data analysis

ACTIVITIES

PARALLEL STUDIES

Emission inventory
Integrated modeling

MONITORING PARAMETERS

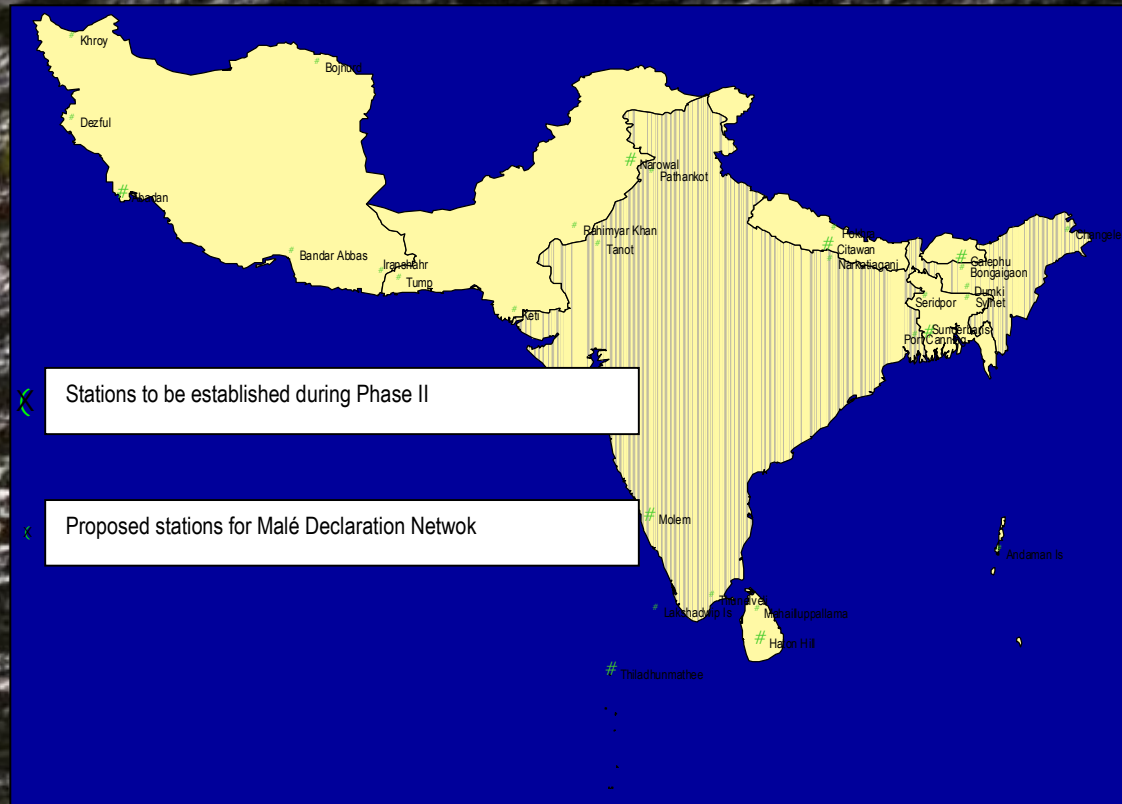
Wet Deposition
Dry deposition

Wet Deposition: pH, EC, SO_4^{2-} , NO_3^- , Cl^- , NH_4^+ , Na^+ , K^+ , Ca^{2+} , and Mg^{2+}

Dry Deposition: SO_2 , NO_2 , PM_{10} ,

Meteorology: Wind direction/speed, temperature, humidity, precipitation,

MONITORING LOCATIONS

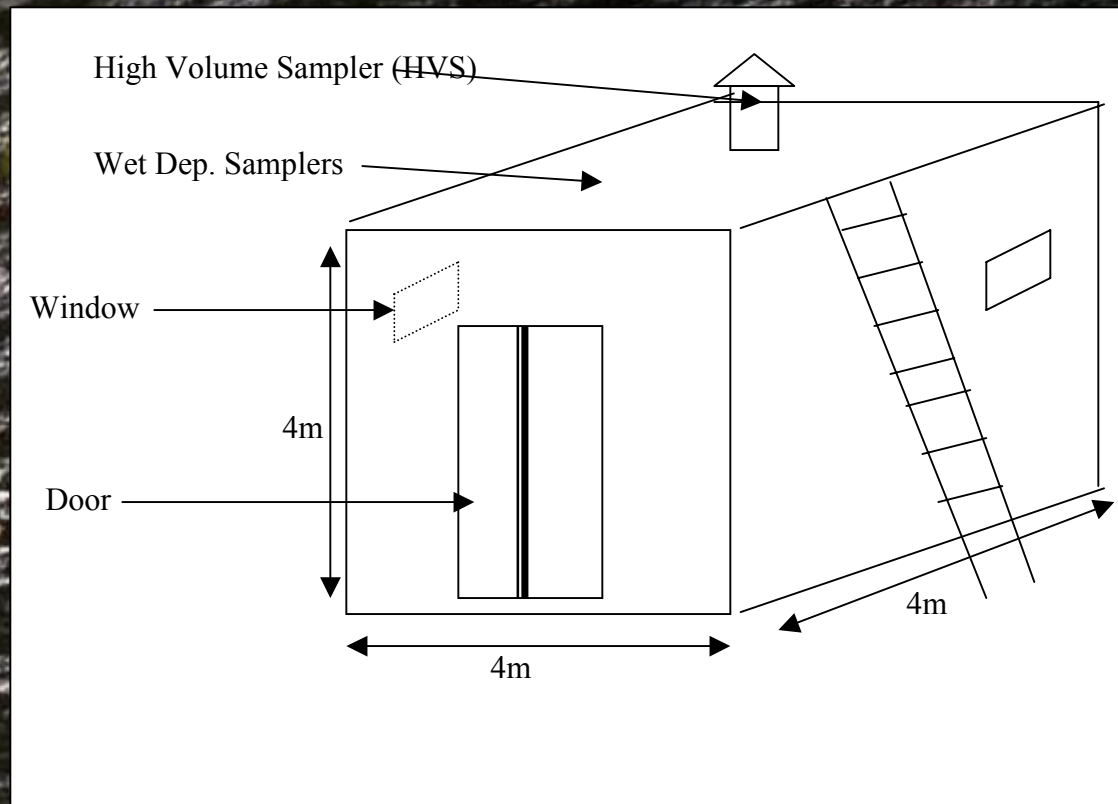


Remote sites for monitoring transboundary air pollution

One station per country

The network will be expanded based on the experience gained from these stations

MONITORING STATIONS

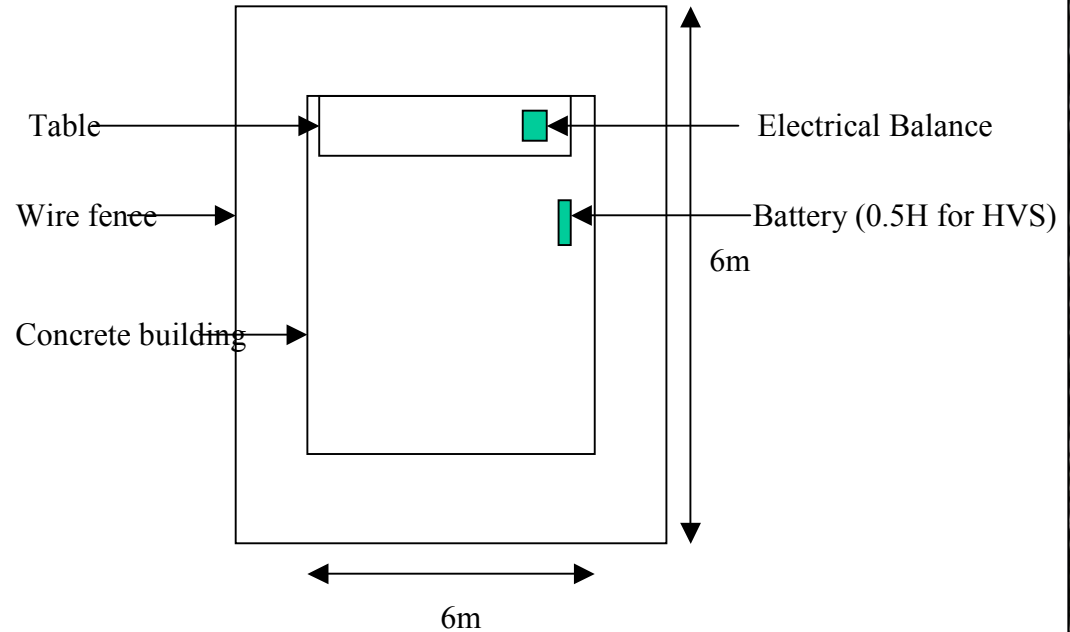


Concrete building on high altitude

Electricity ?

Security ?

MONITORING STATIONS



Concrete building on high altitude

Electricity ?

Security ?

EQUIPMENTS



A list of site and laboratory equipments is available

Centrally

In contact with equipment vendors